

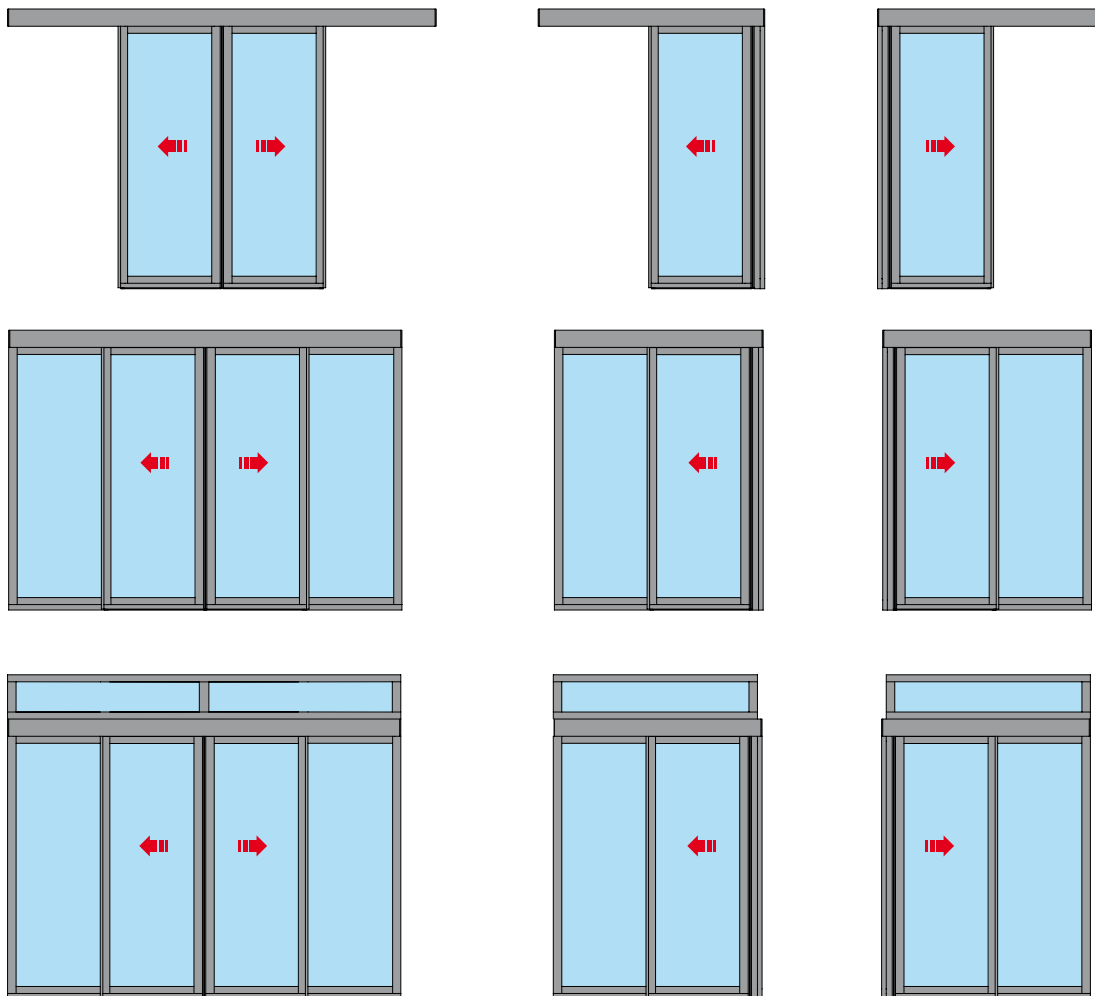
Ditec ALU48STD

Istruzioni di installazione sistema profili ALU48 standard

Installation instructions for ALU48 standard profiles system

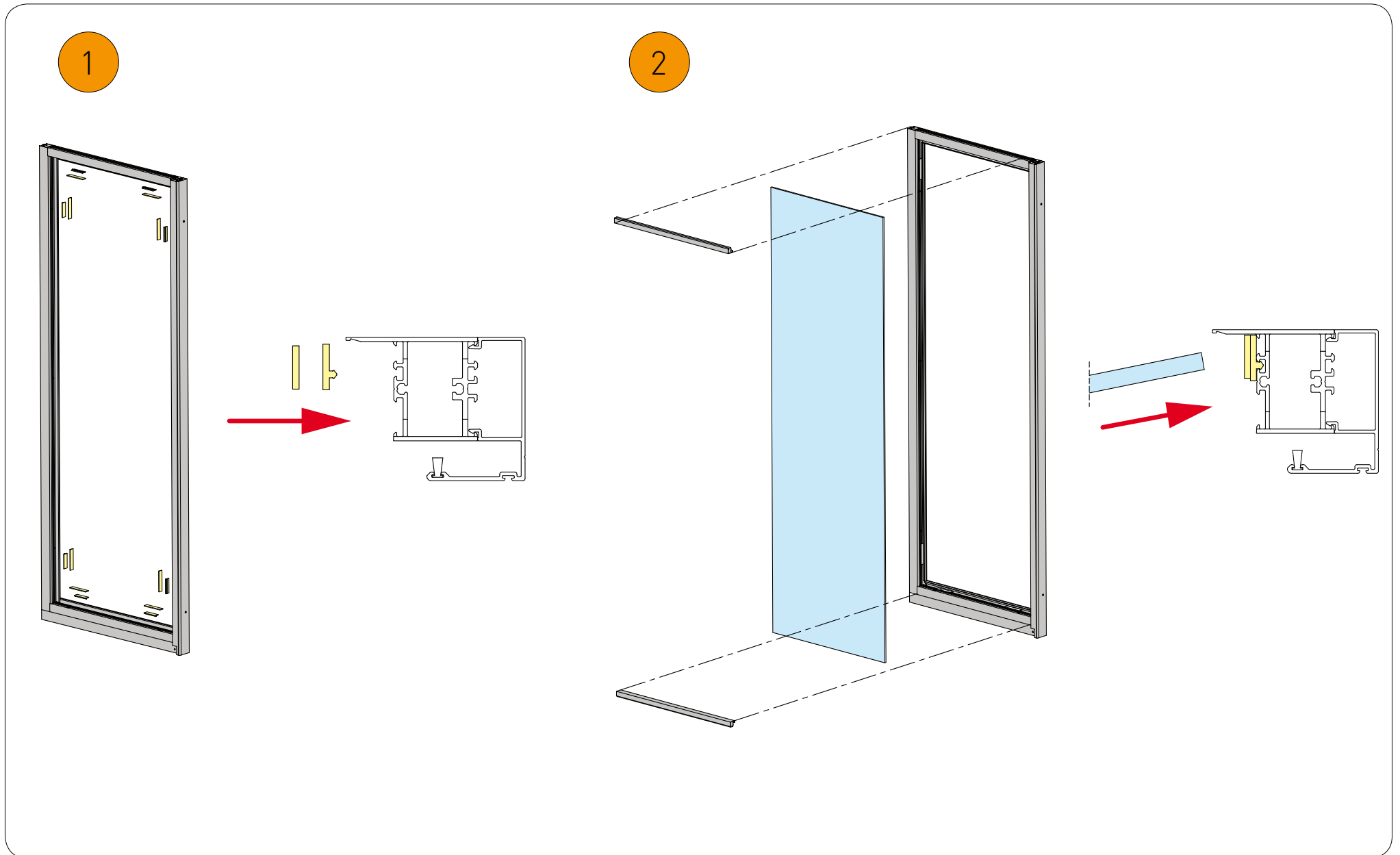
ENTRE//MATIC

IP2187 • 2014-07-17



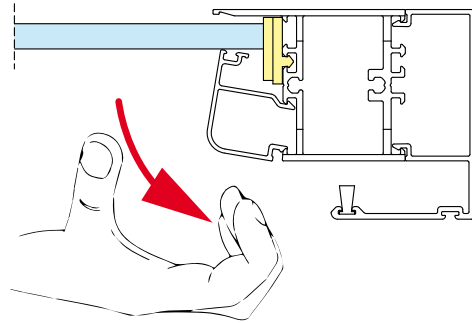
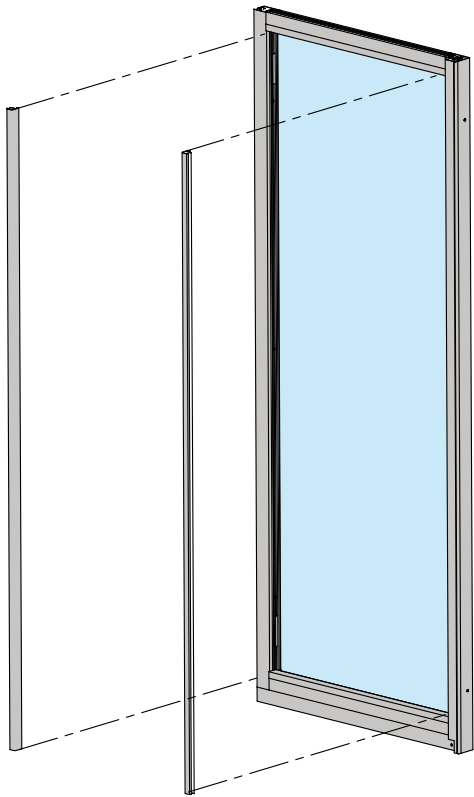
www.ditecentrematic.com

1. Instructions for placing panes on door wing

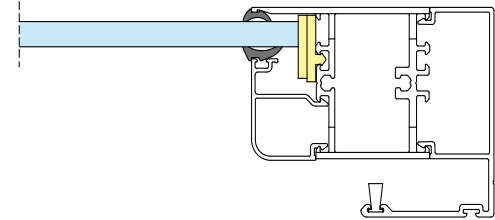
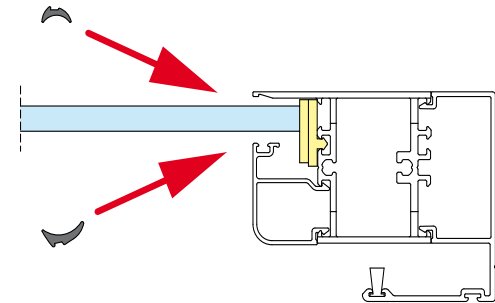
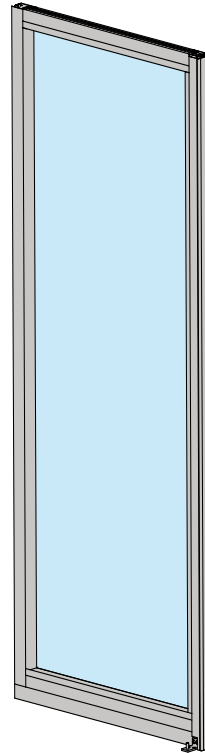


1. Instructions for placing panes on door wing

3

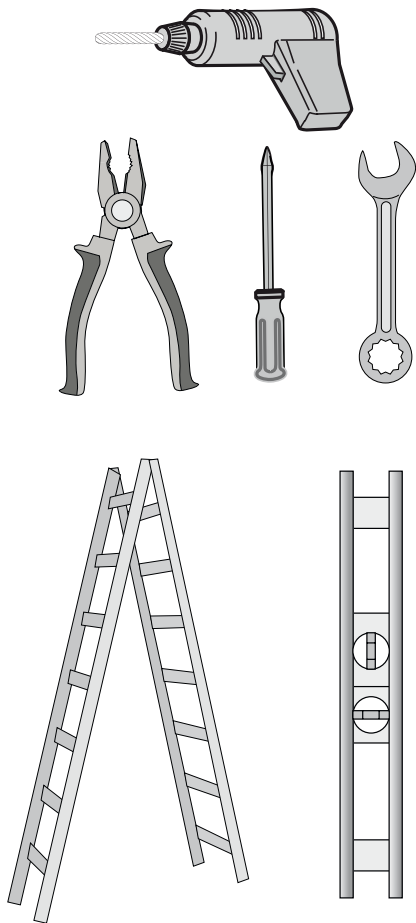


4

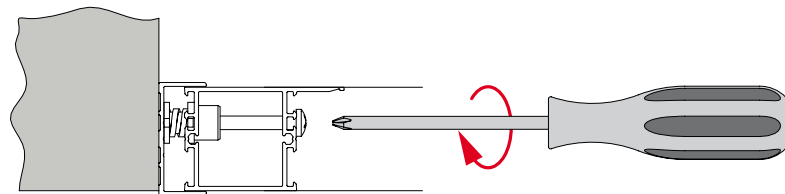
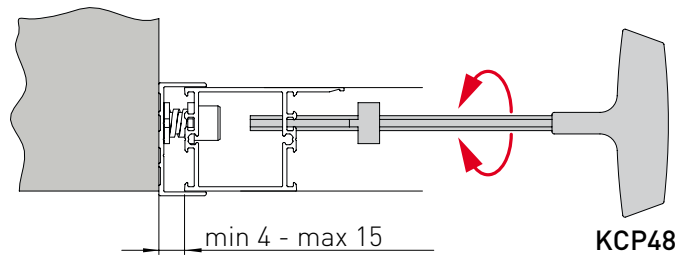
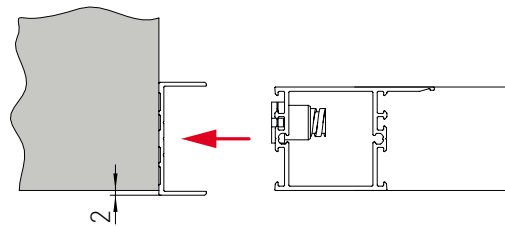


2. Installation instructions

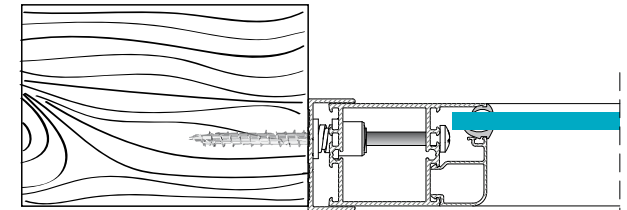
List of equipment
 Elenco dotazioni
 Ausstattungsverzeichnis
 Liste des accessoires fournis
 Lista de suministro
 Lista de equipamentos



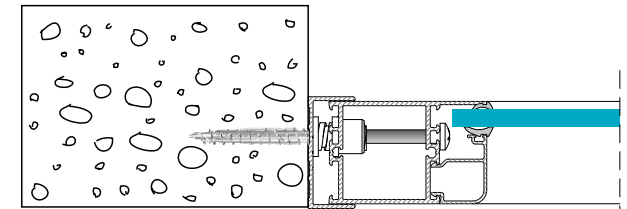
Regulation instructions
 Indicazioni di regolazione
 Angaben zur Einstellung
 Indications de réglage
 Indicaciones de regulación
 Indicações de regulação



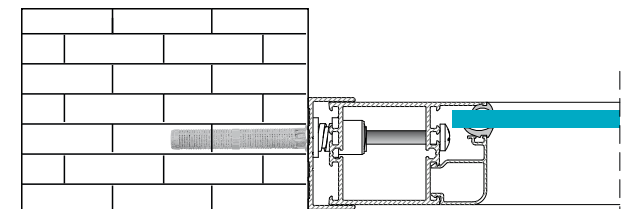
Fastening instructions
 Indicazioni di fissaggio
 Angaben zur Befestigung
 Indications de fixation
 Indicaciones de fijación
 Indicações de fixação



Wood - Legno - Holz
 Bois - Madera - Madeira

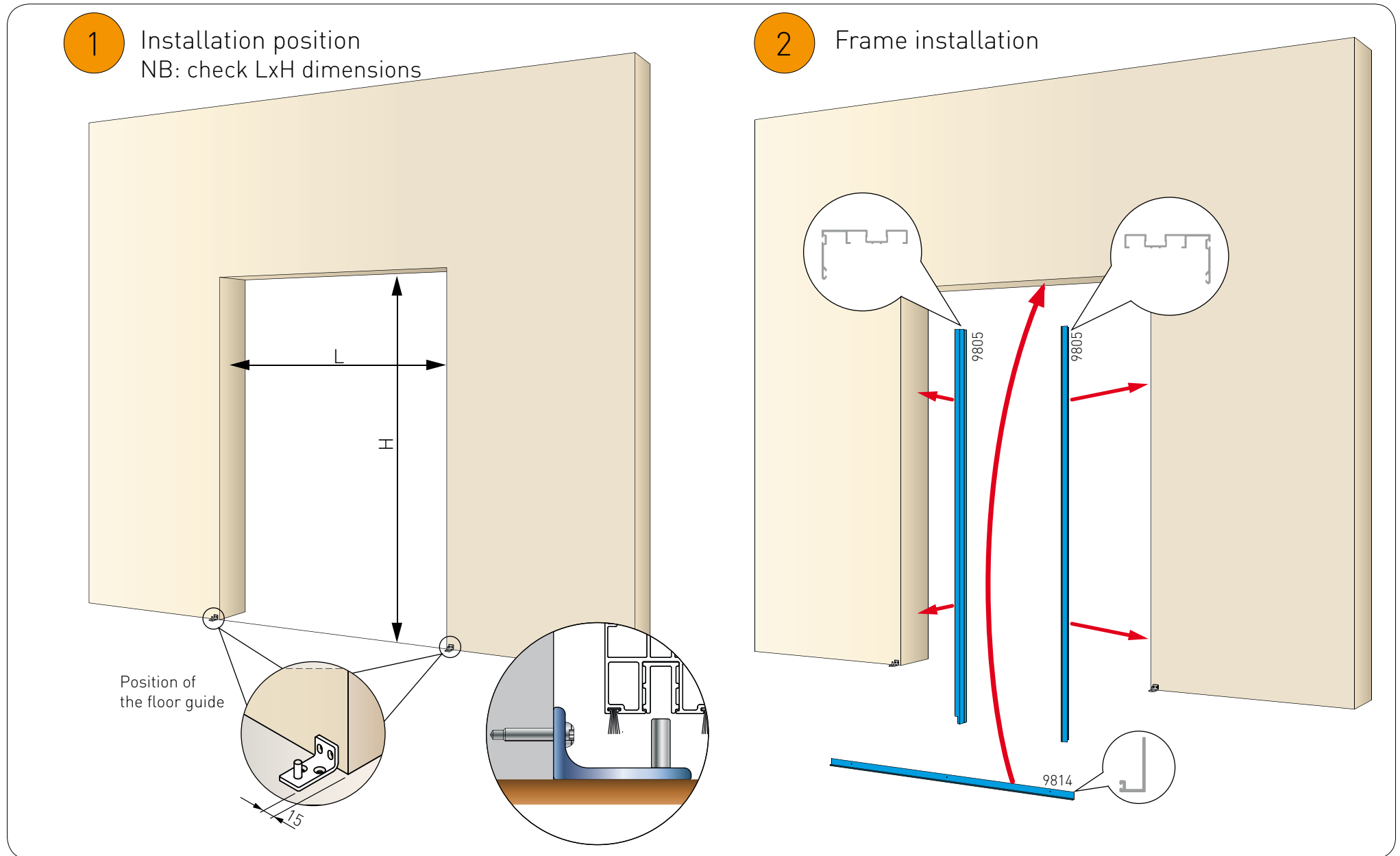


Concrete - Cemento - Zement
 Ciment - Cemento - Concreto



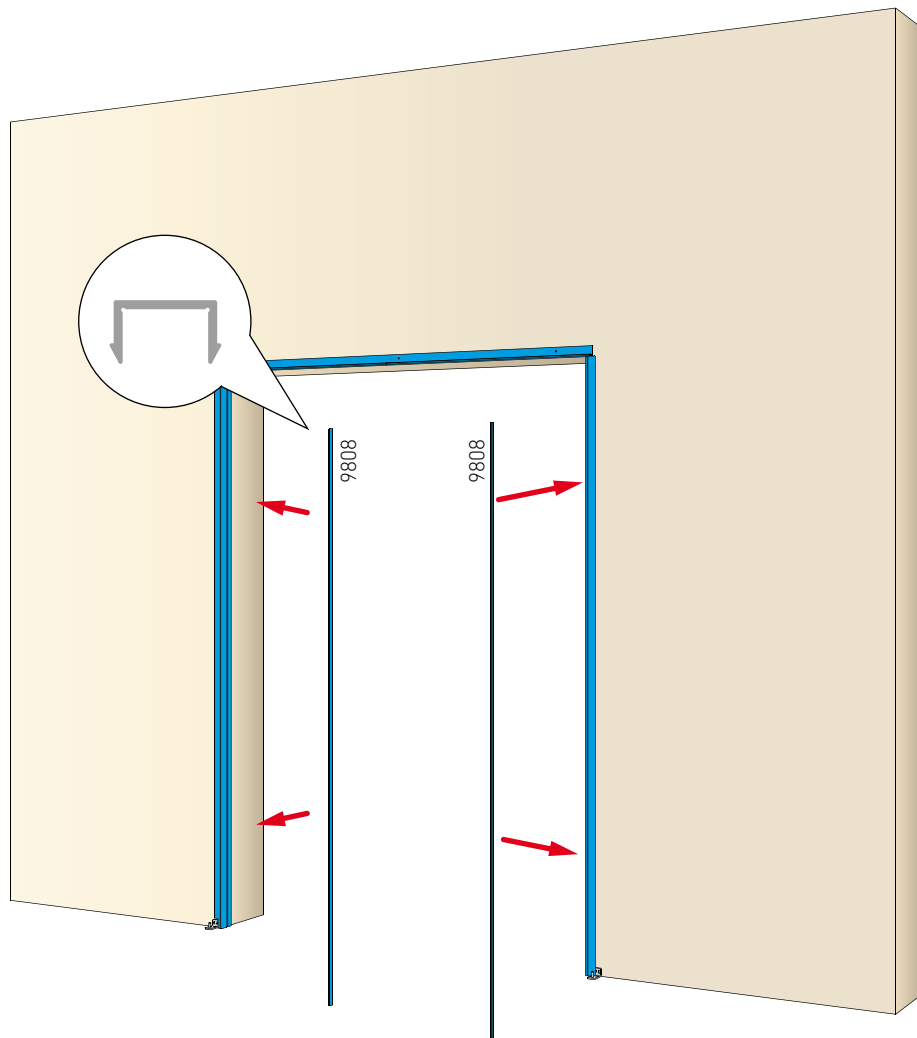
Brick - Mattone - Ziegel
 Brique - Ladrillo - Tijolo

3. Installation instructions for two moving door wings without beam

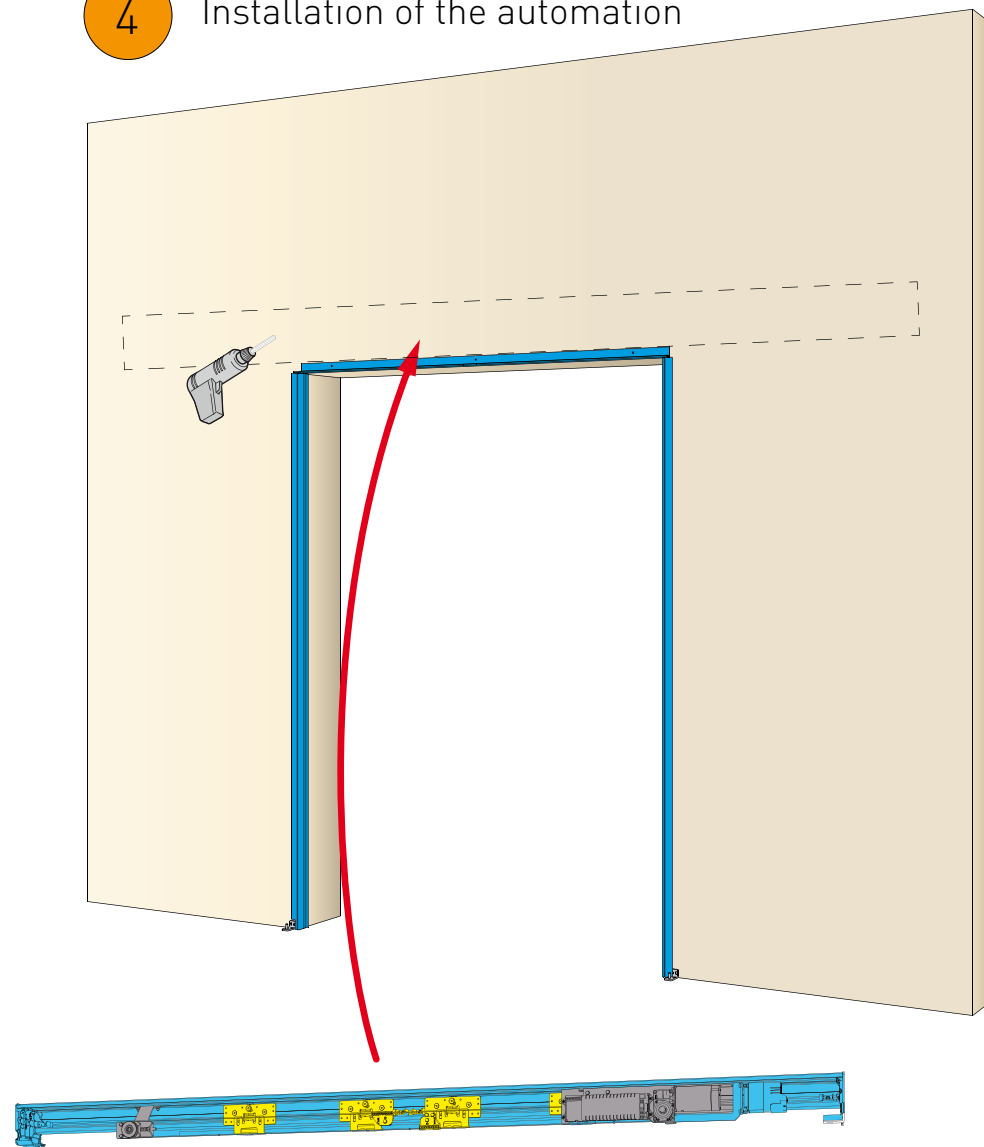


3. Installation instructions for two moving door wings without beam

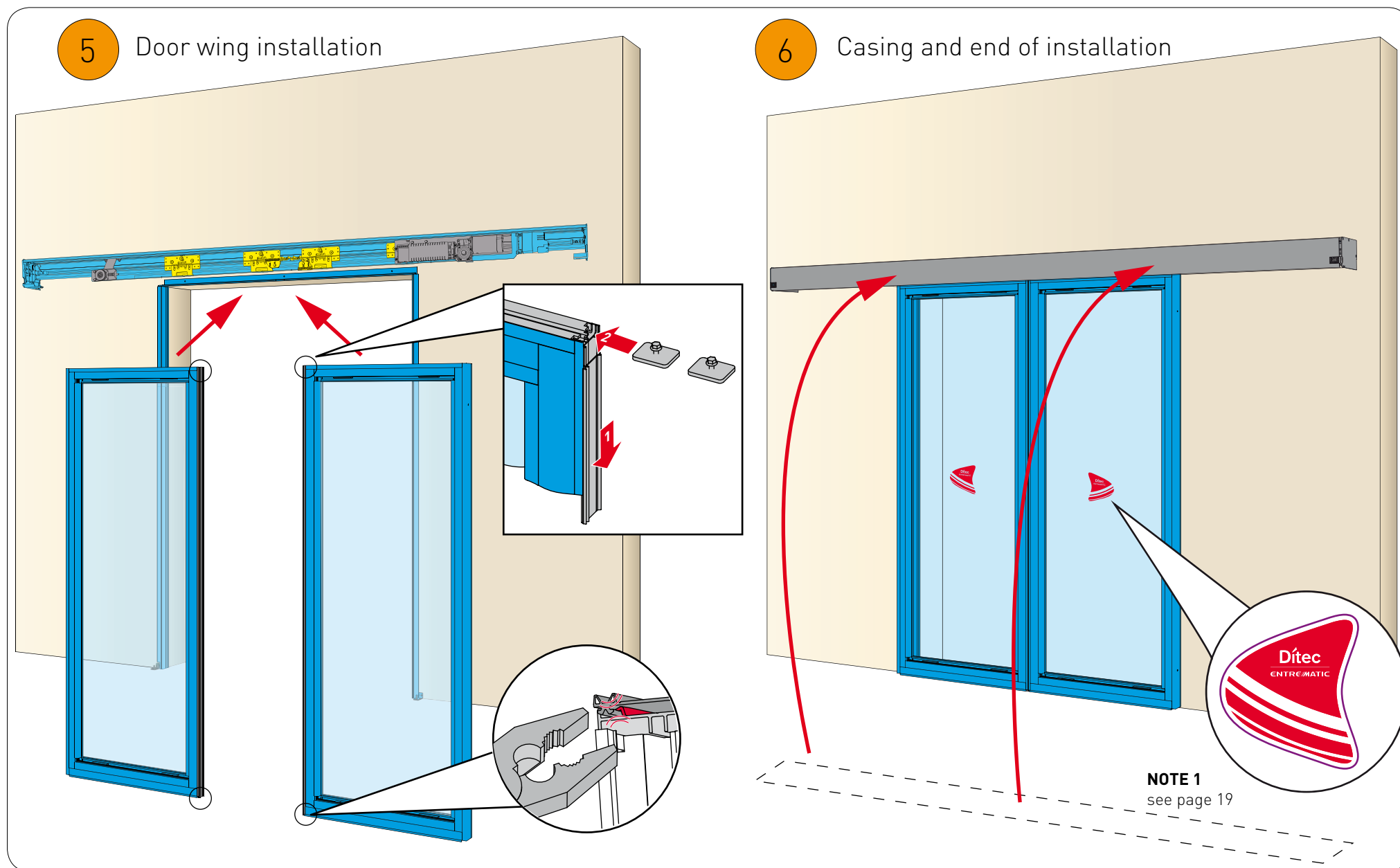
3 Frame installation



4 Installation of the automation

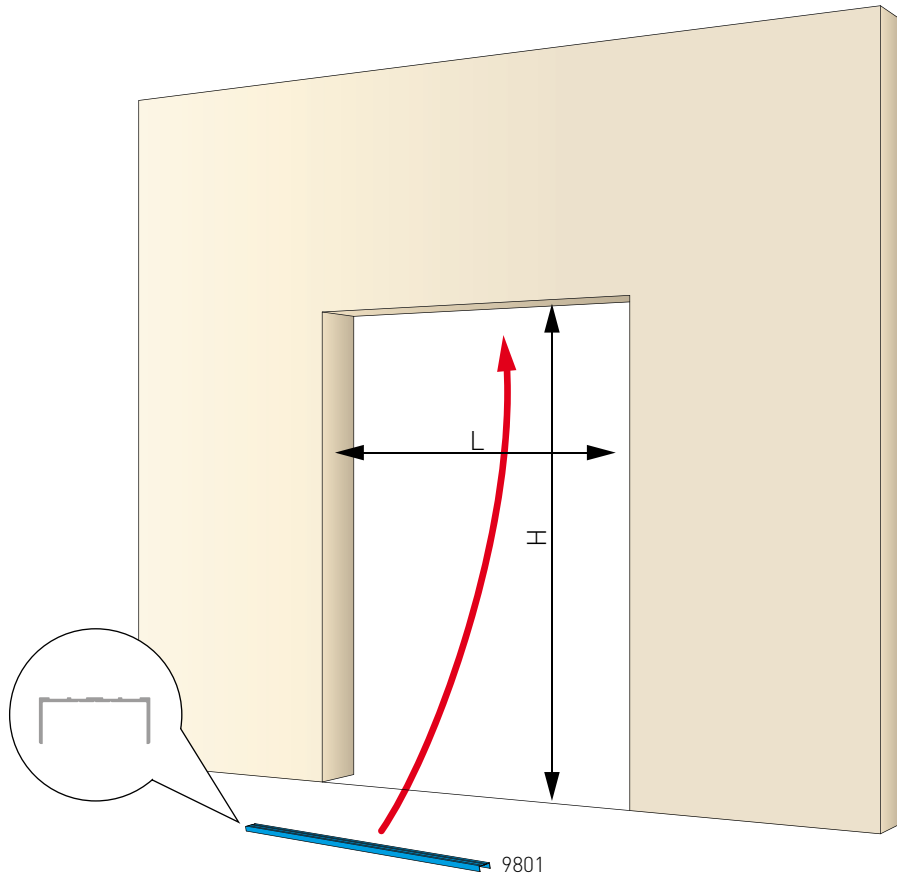


3. Installation instructions for two moving door wings without beam

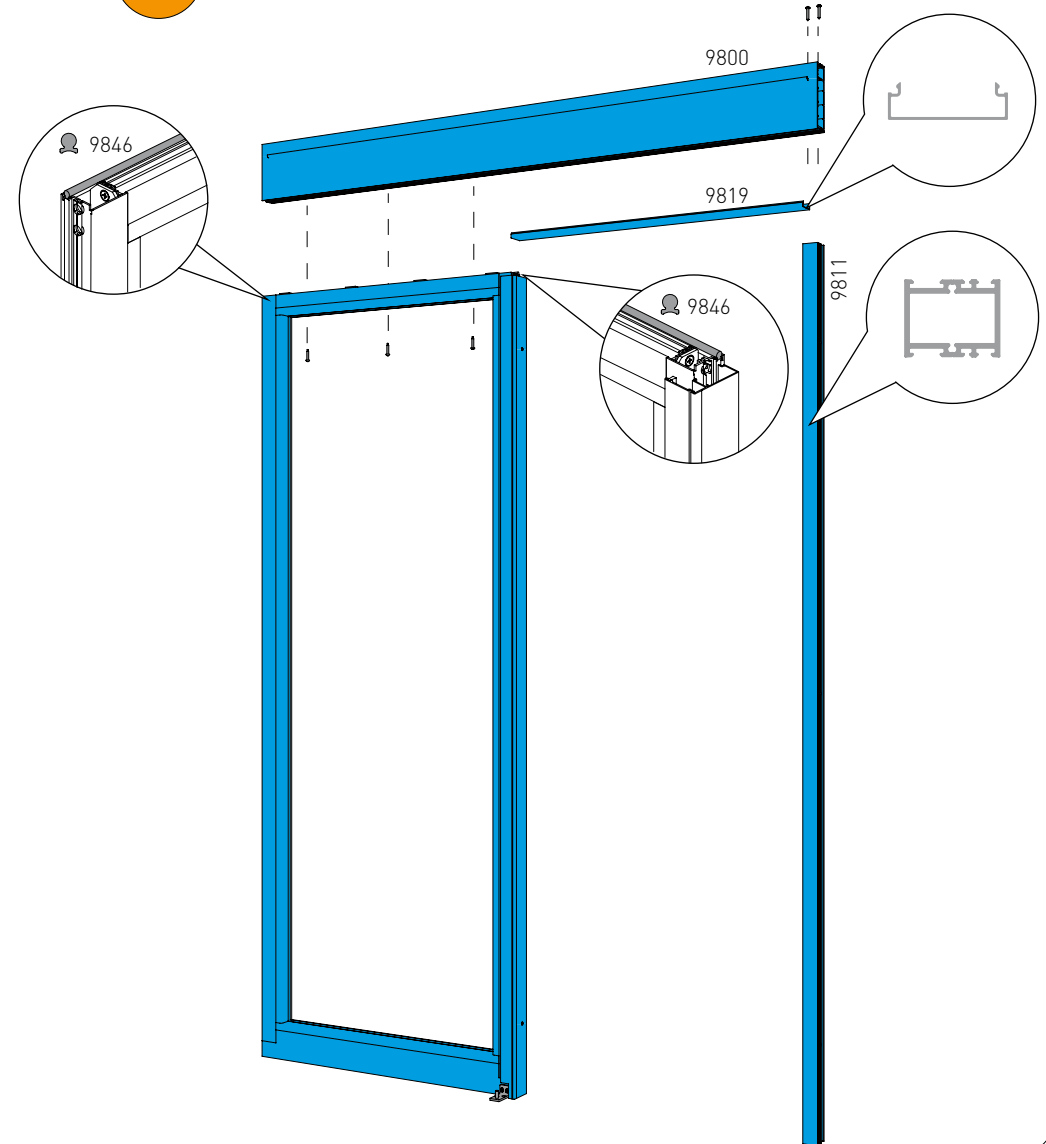


4. Installation instructions for one moving door wing and one fixed door wing with beam

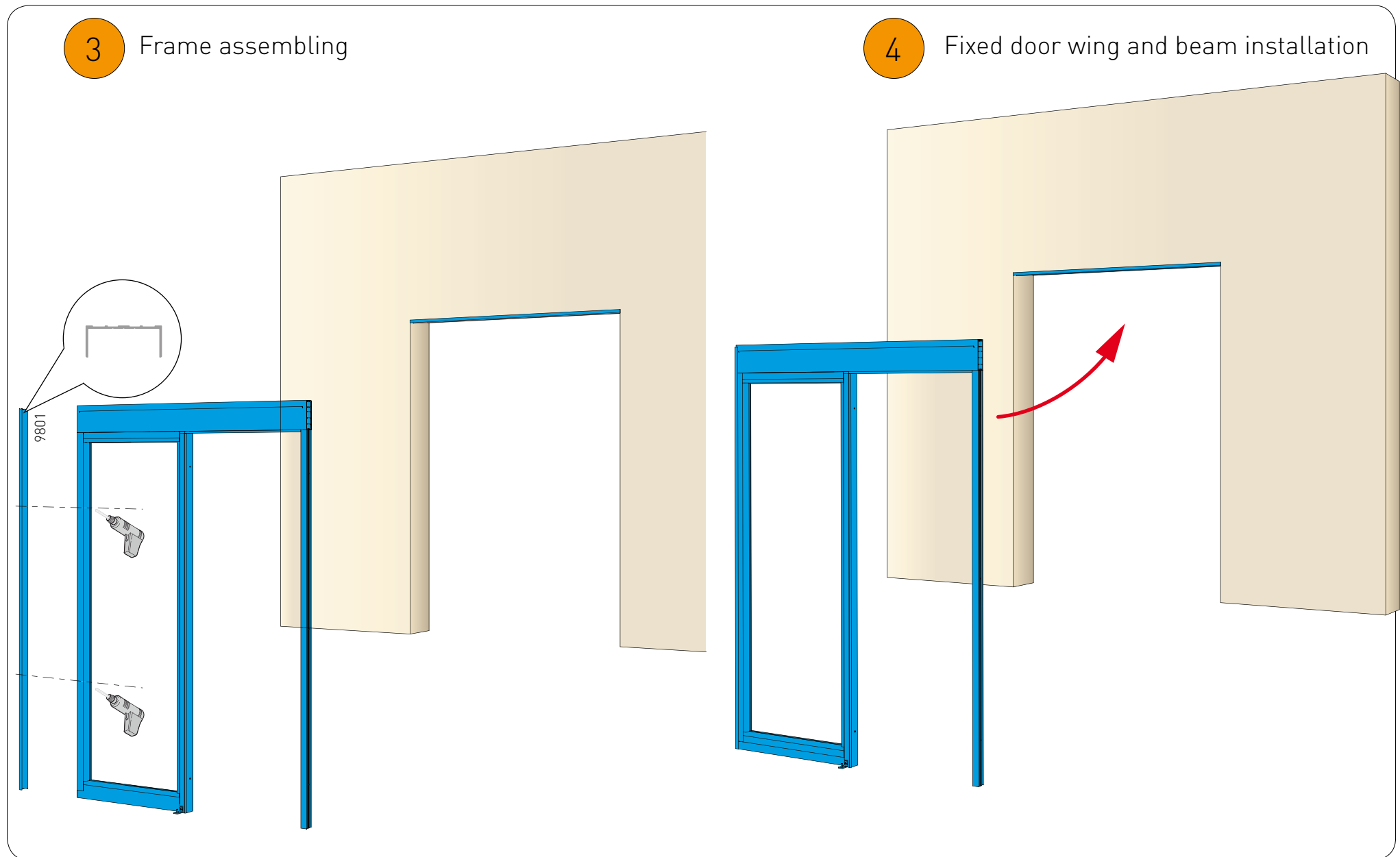
- 1** Installation position
NB: check LxH dimensions



- 2** Fixed door wing and beam assembling

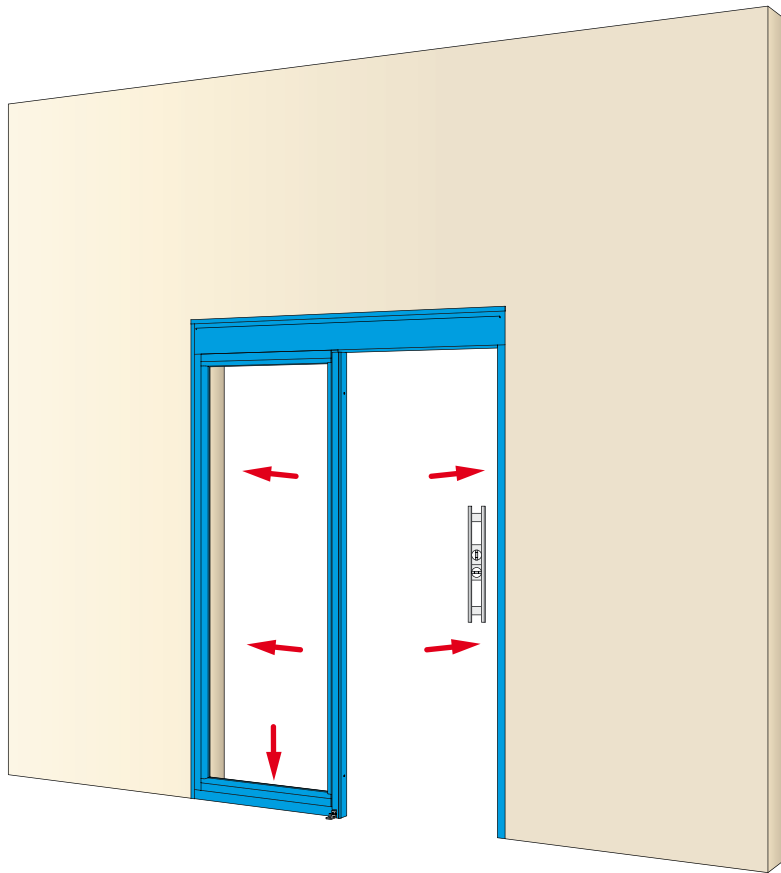


4. Installation instructions for one moving door wing and one fixed door wing with beam

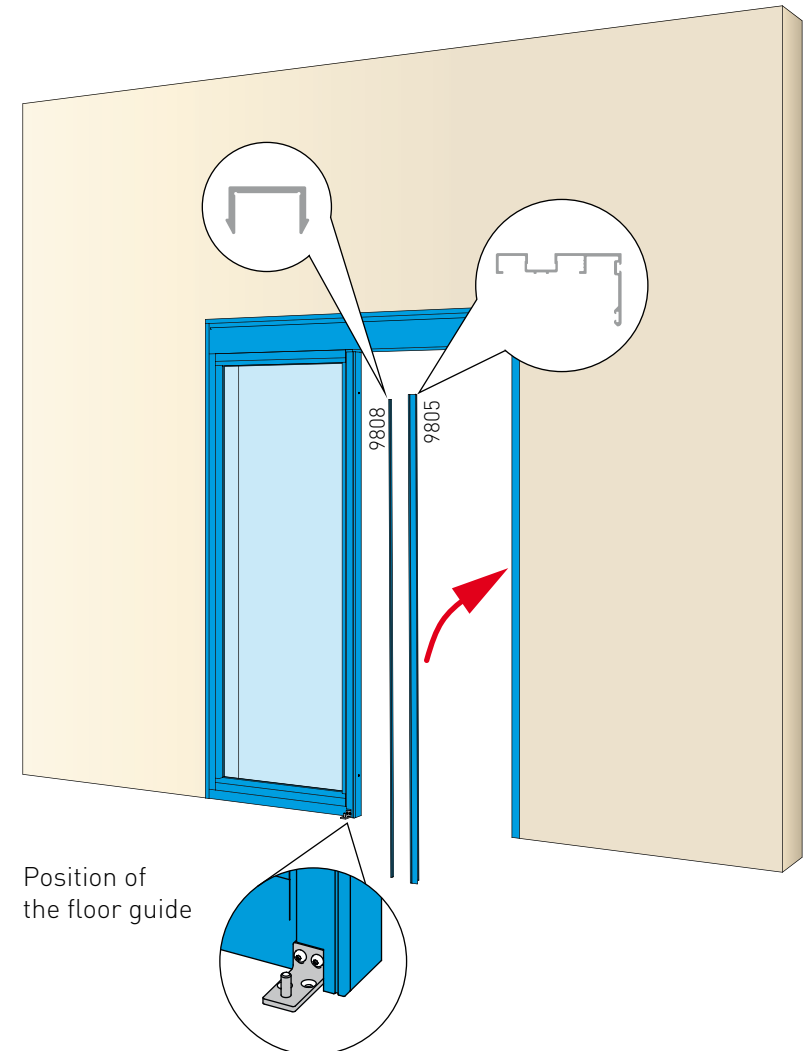


4. Installation instructions for one moving door wing and one fixed door wing with beam

5 Frame installation

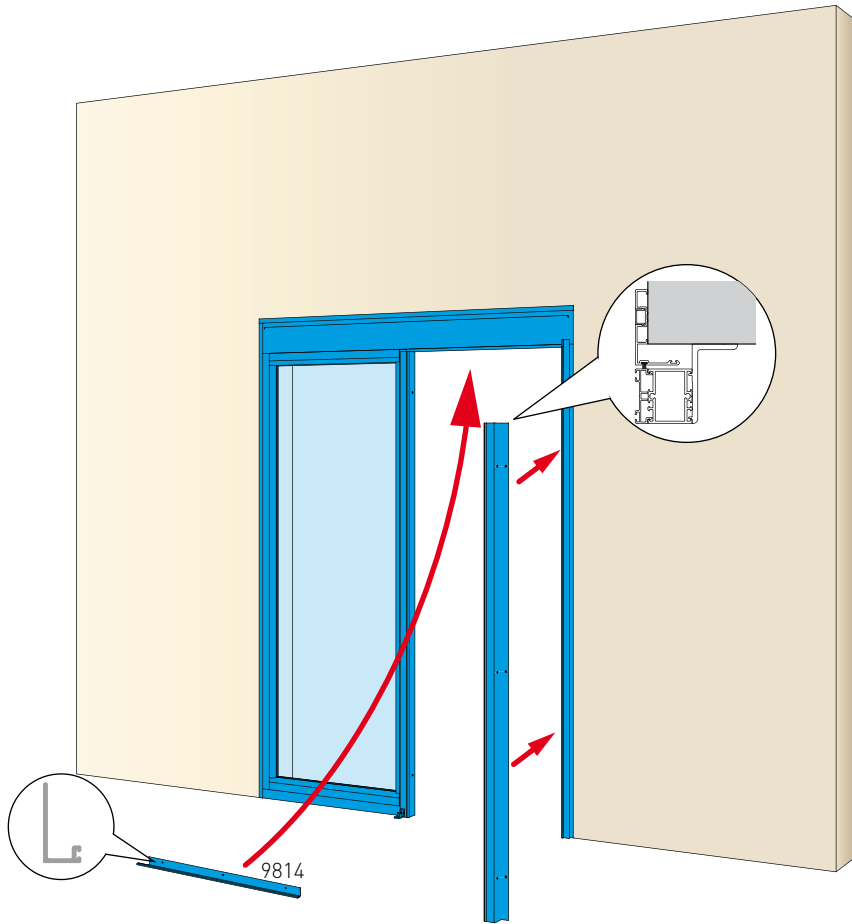


6 Frame and glass installation

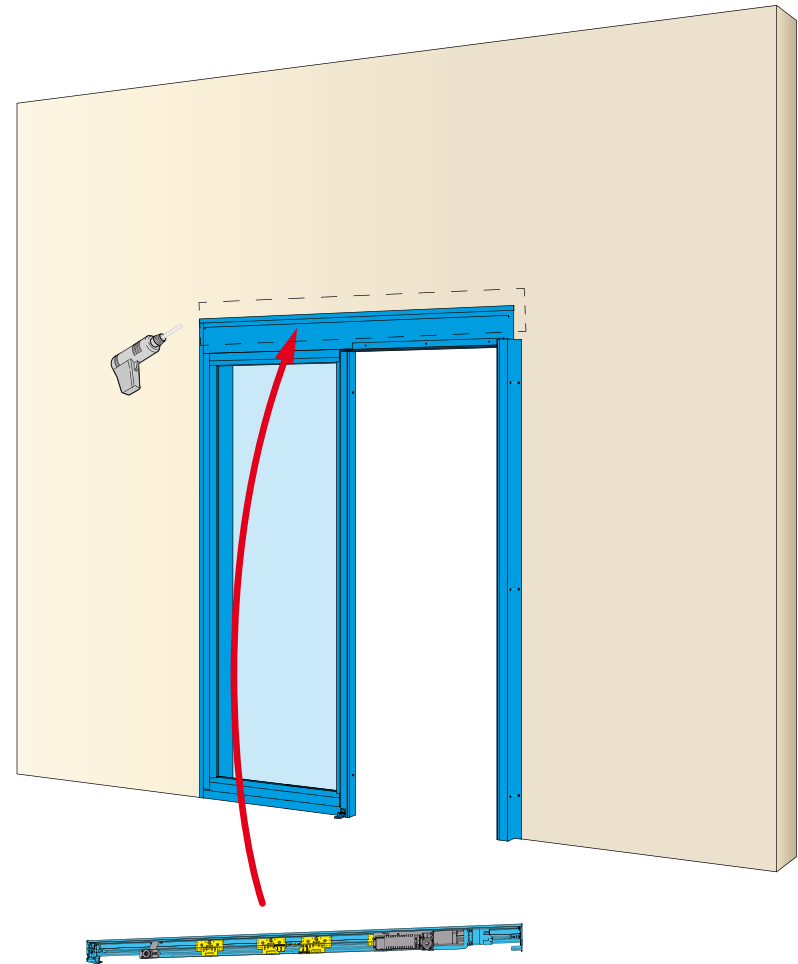


4. Installation instructions for one moving door wing and one fixed door wing with beam

7 Free passage profiles installation

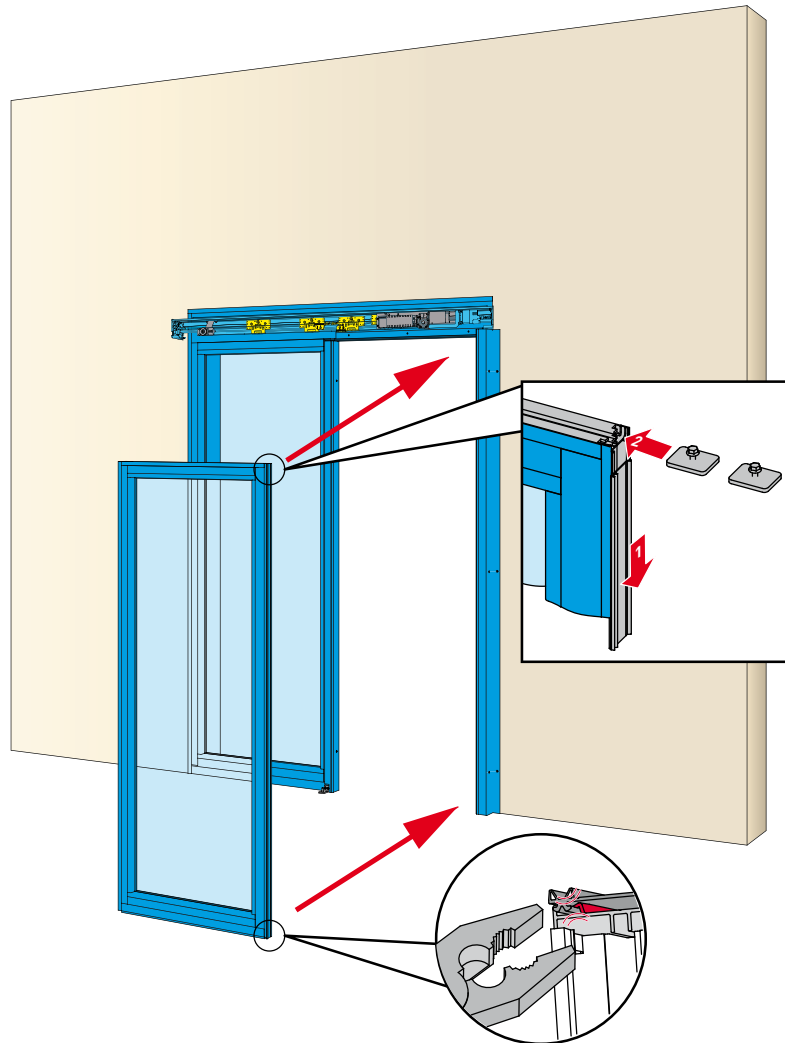


8 Installation of automation.

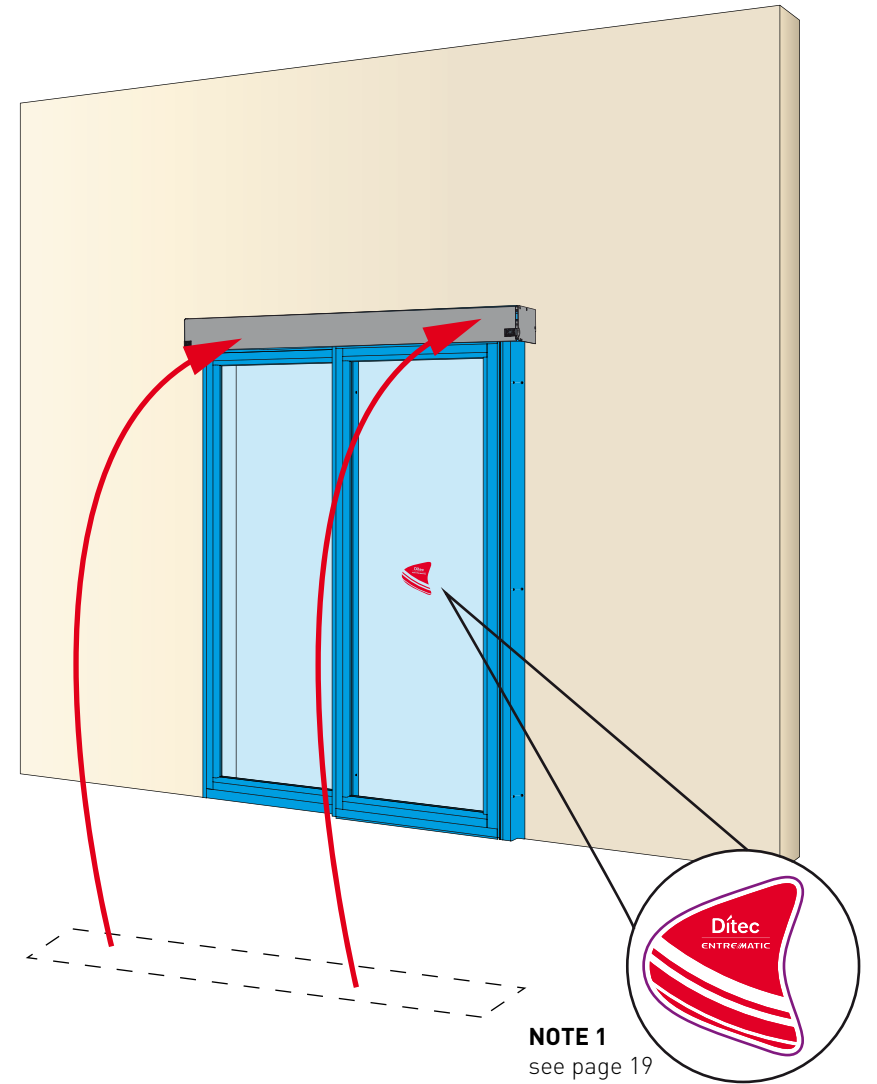


4. Installation instructions for one moving door wing and one fixed door wing with beam

9 Door wing installation

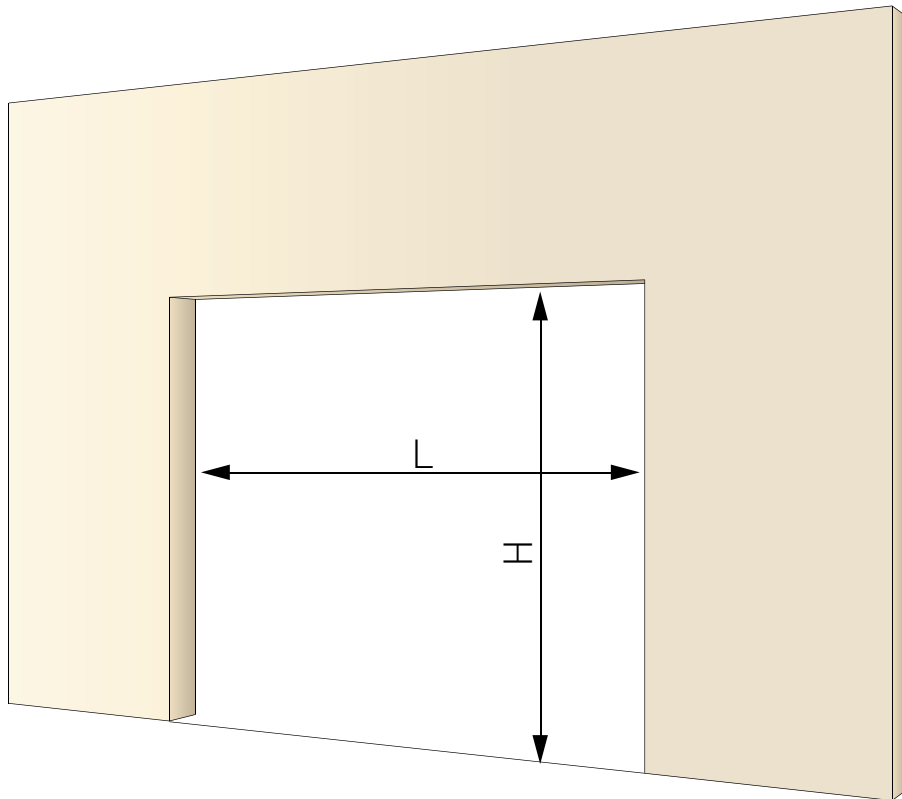


10 Casing and end of installation

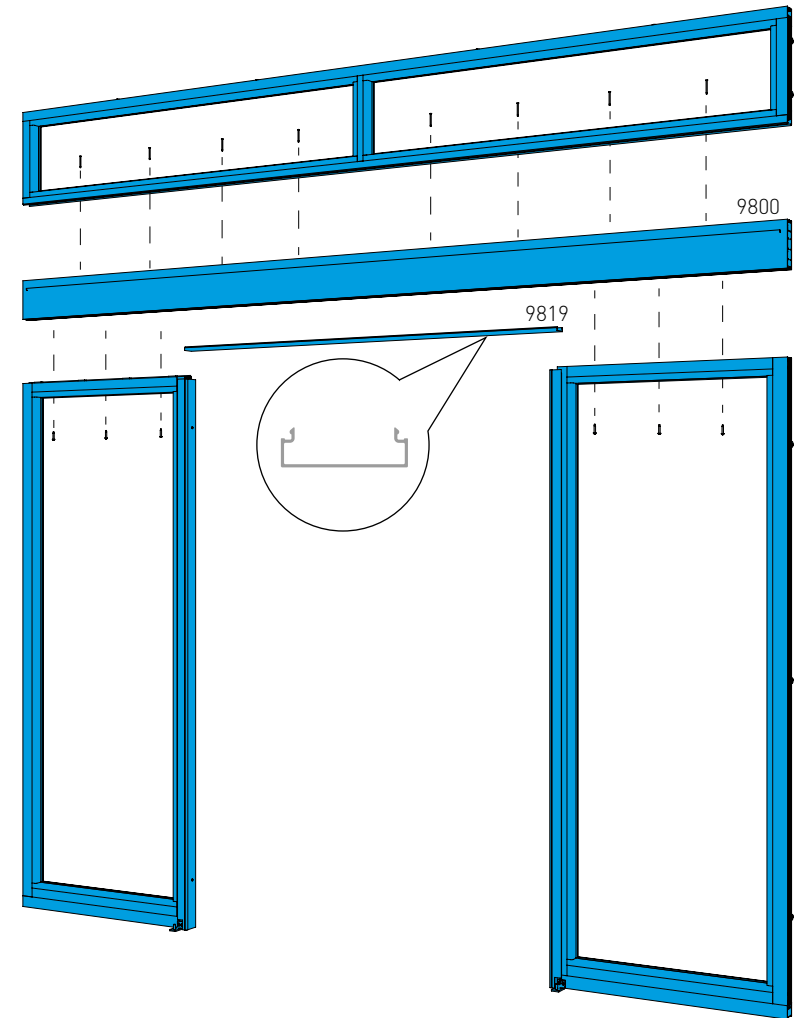


5. Installation instructions for two moving door wings and two fixed door wings with beam and overlight

- 1 Installation position
NB: check LxH dimensions

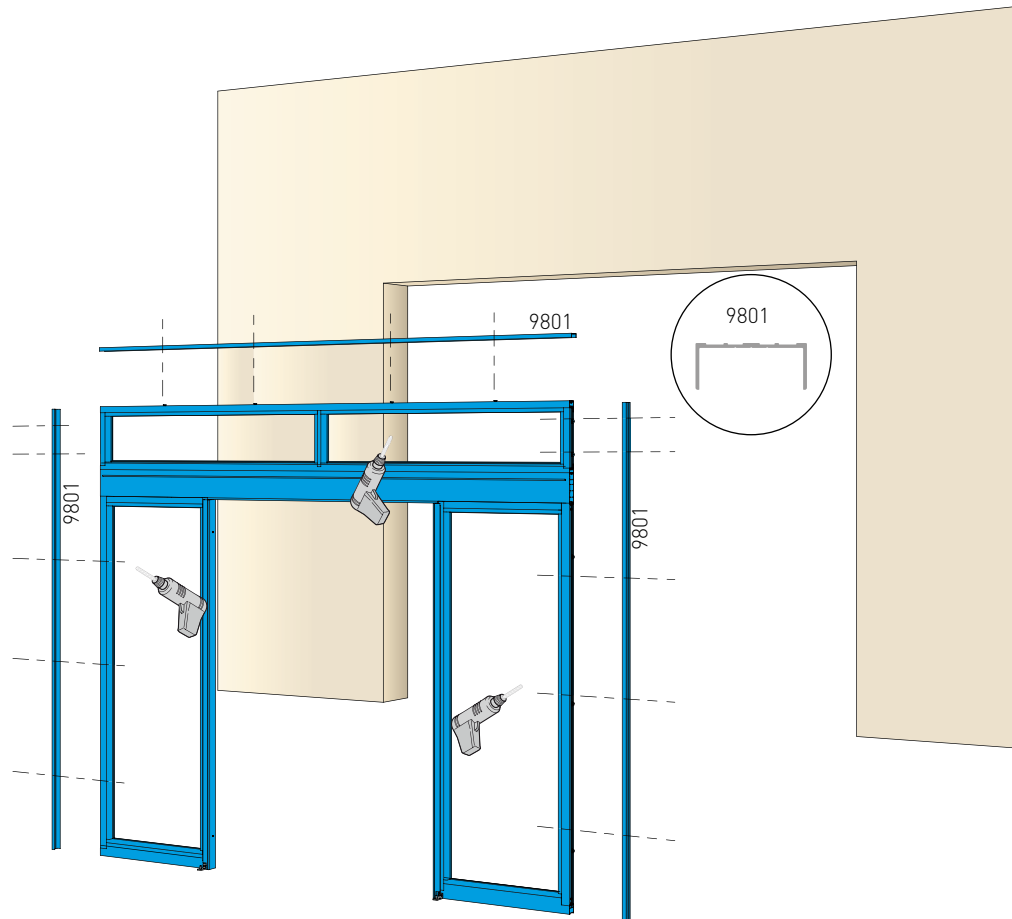


- 2 Fixed door wings, beam and overlight assembling

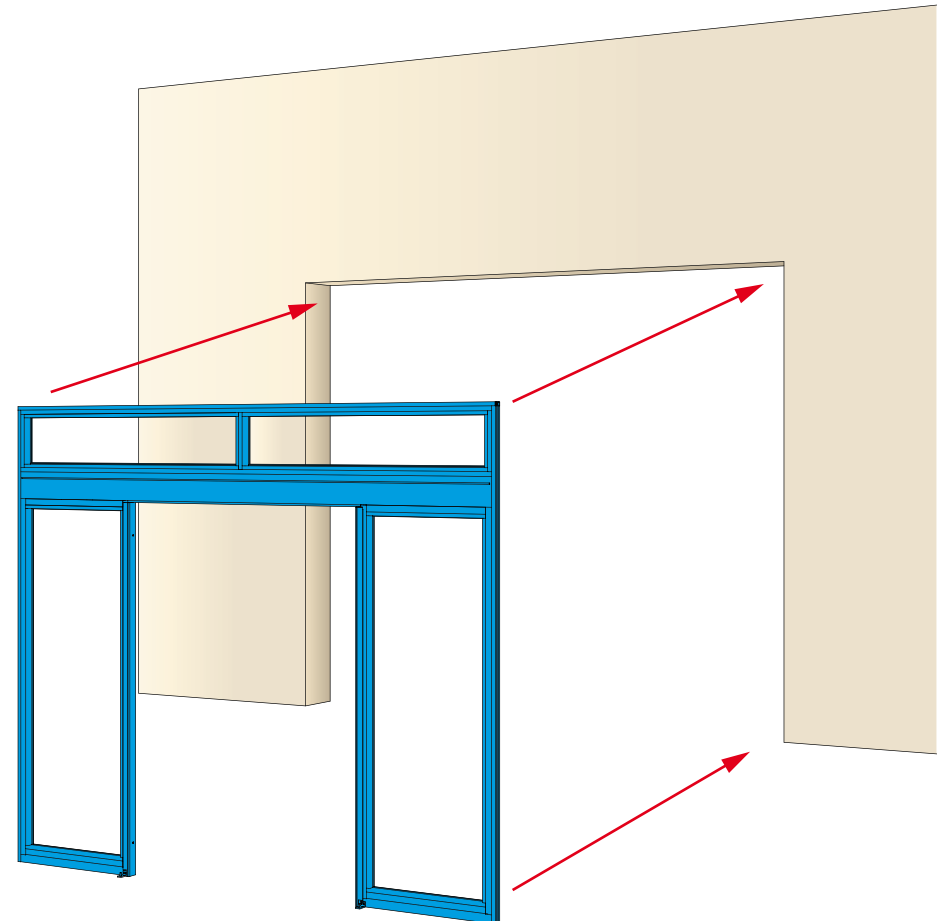


5. Installation instructions for two moving door wings and two fixed door wings with beam and overlight

3 Fixed door, beam and overlight installation

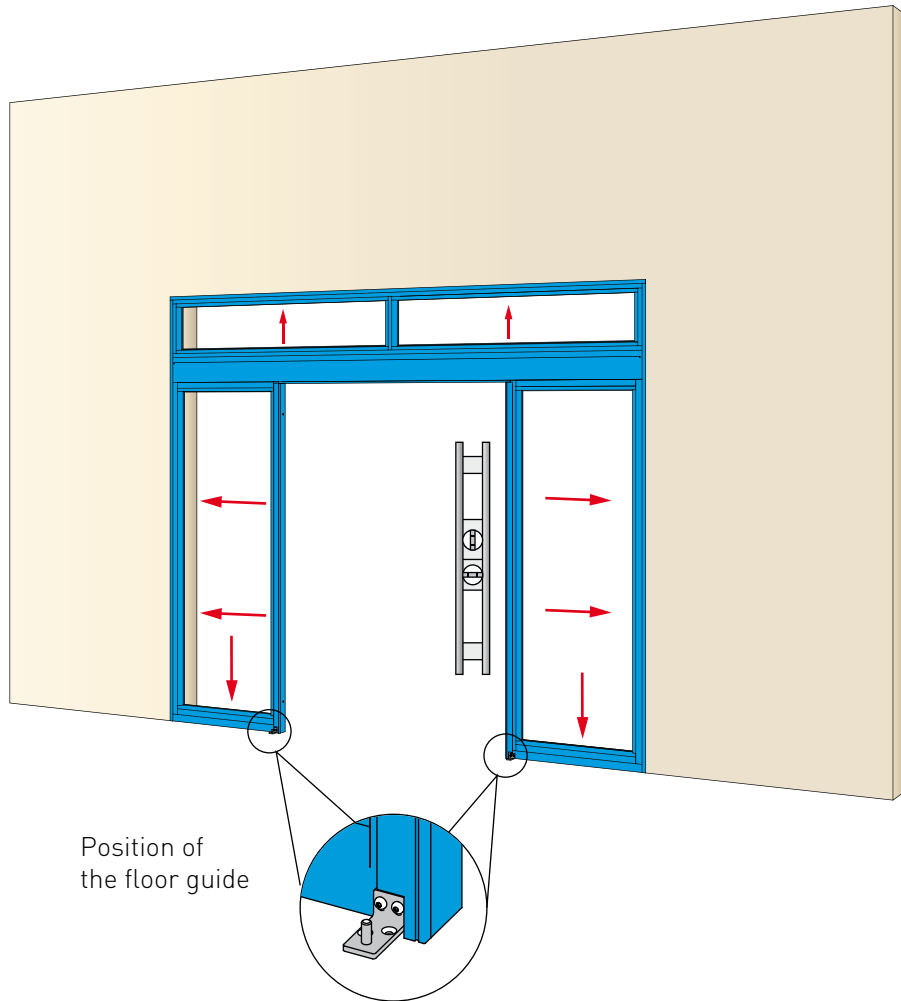


4 Fixed door, beam and overlight installation

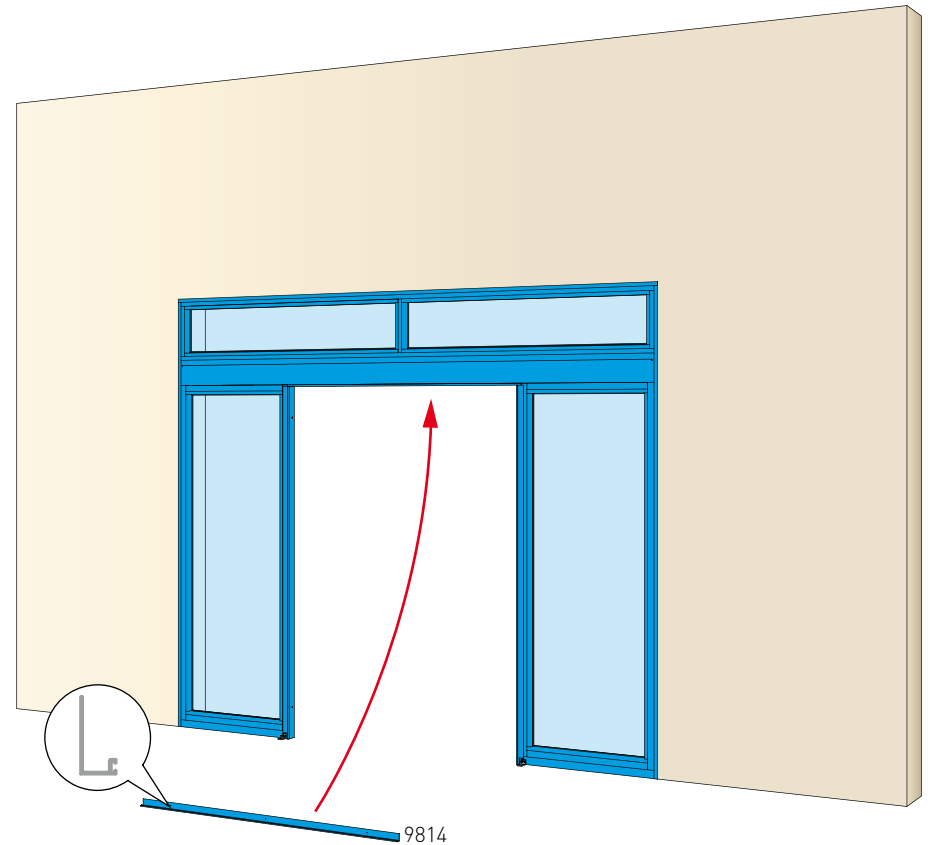


5. Installation instructions for two moving door wings and two fixed door wings with beam and overlight

5 Frame installation

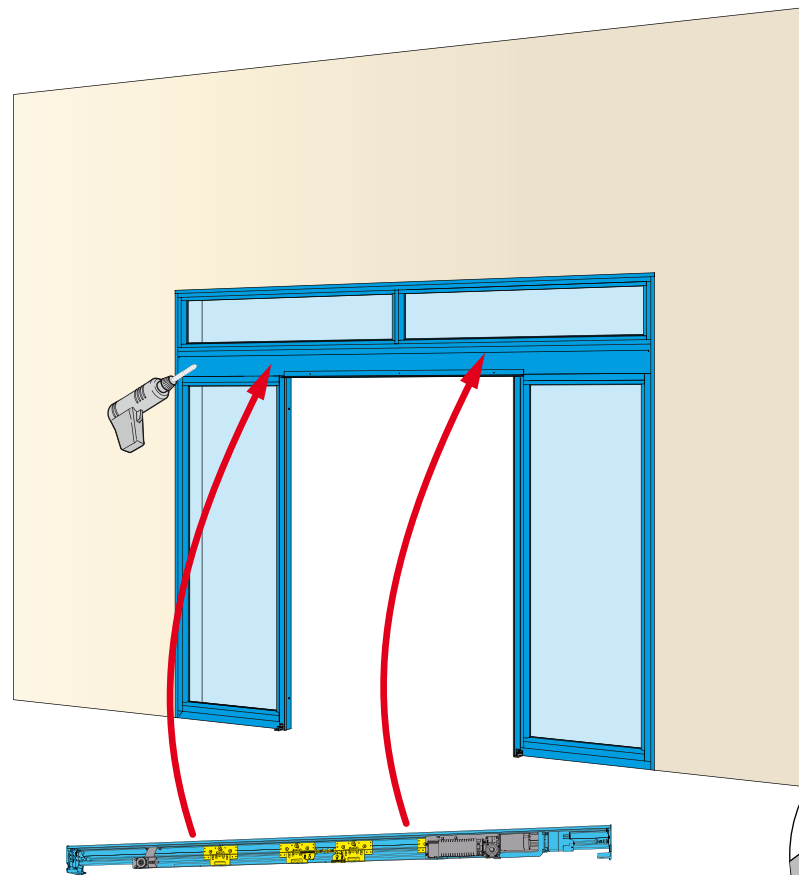


6 Glass and free passage profiles installation

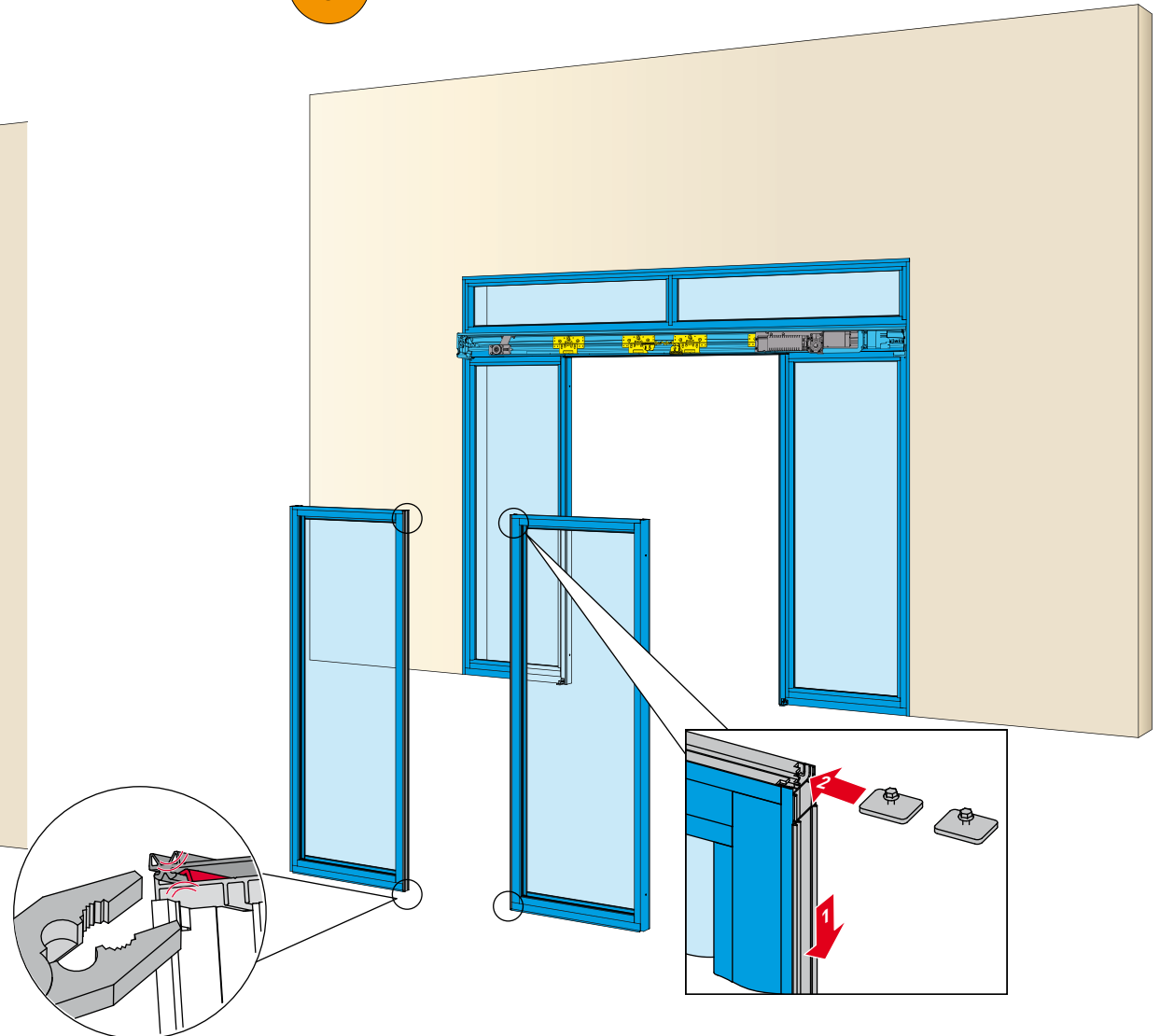


5. Installation instructions for two moving door wings and two fixed door wings with beam and
overlight

7 Installation of automation

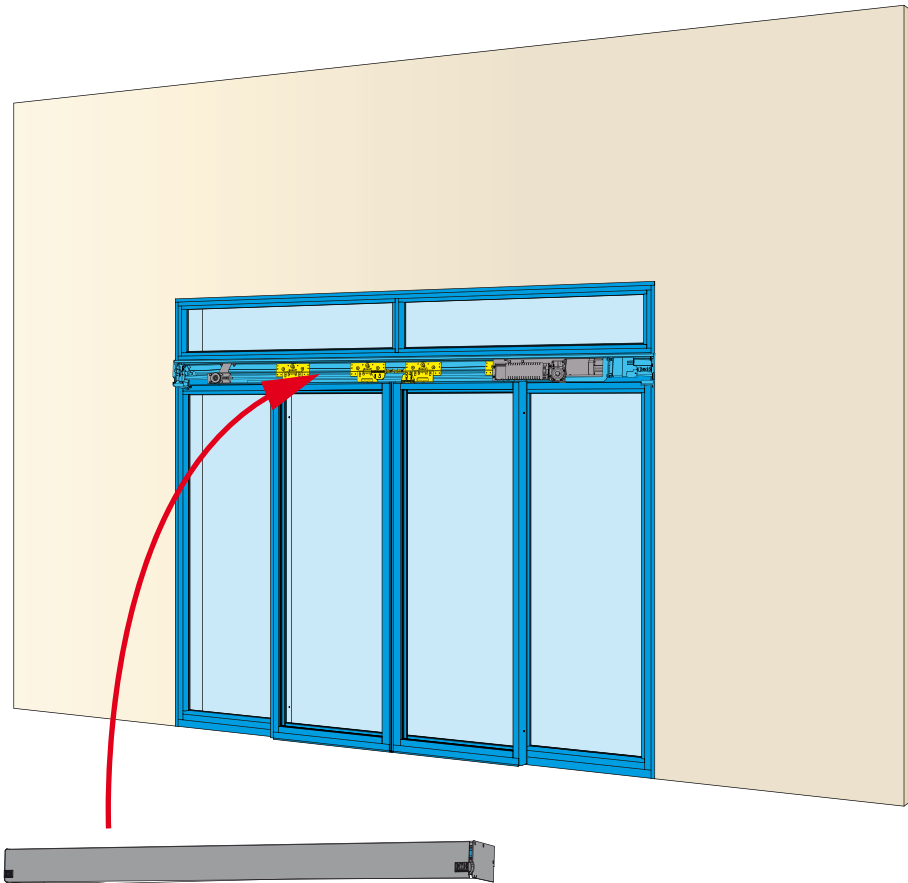


8 Door wings installation

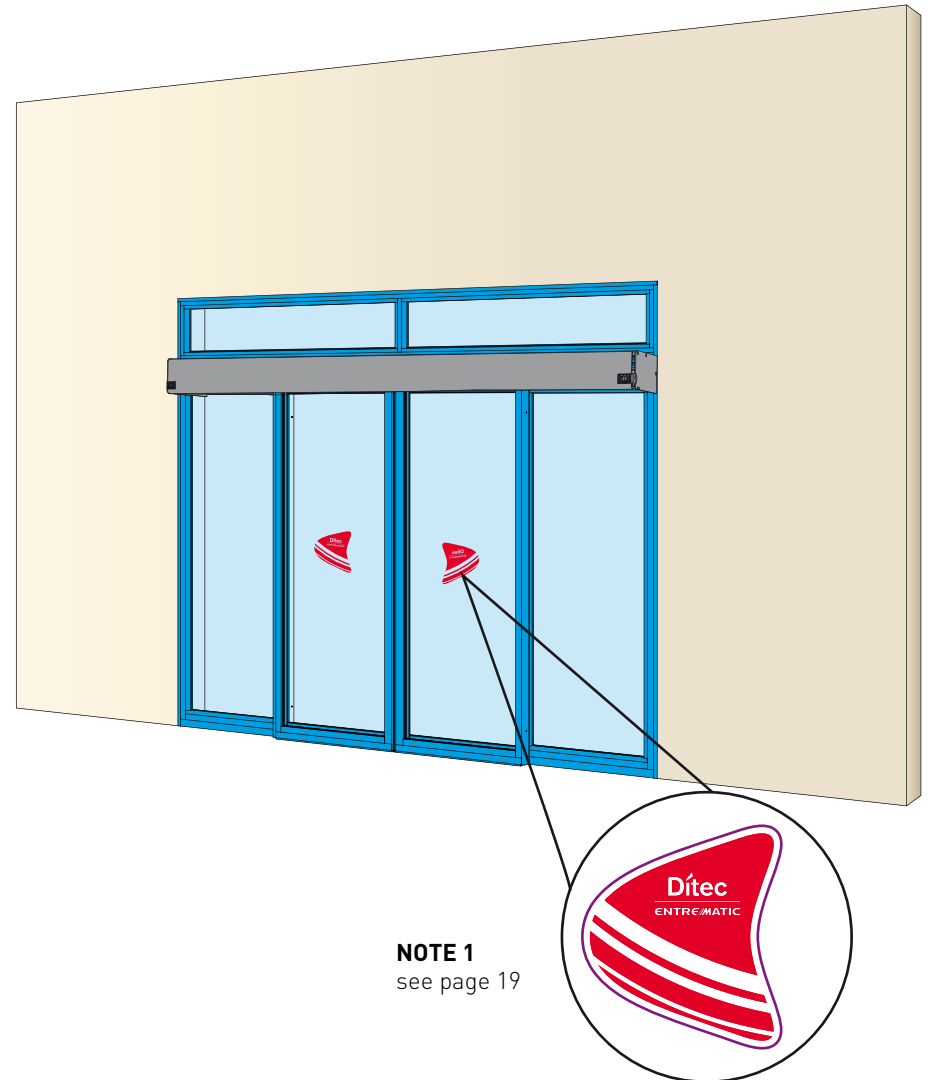


5. Installation instructions for two moving door wings and two fixed door wings with beam and
overlight

9 Casing installation



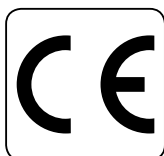
10 End of installation



NOTE 1
see page 19

NOTE 1: in compliance with the EN 16005 Standard, transparent glass panels must be marked. The application of stickers complies with the provisions of the Standard regarding accident prevention.

ENTRE//MATIC



Entrematic Group AB
Lodjursgatan 10
SE-261 44, Landskrona
Sweden
www.ditecentrematic.com

